

Description

Features

Download

Accessories

GsmControl+

GsmControl+D

GprsControl+

GprsControl+D



**GprsControl+D**  
DUAL BAND REMOTE CONTROL

**Output Power**

- Class 4 (2W @ 900 MHz)
- Class 1 (1W @ 1800 MHz)

**Power Supply**

- 12 VDC  $\pm 20\%$  polarity independent
- 12 VAC  $\pm 20\%$
- < 30 mA @ 12 VDC in standby mode
- < 100 mA @ 12 VDC in standby mode, relays on
- < 200 mA @ 12 VDC in communication mode
- < 1 A @ 12 VDC max peak current
- Optional NiMH backup battery

**Digital inputs**

- SPST contact, 2,5mmq (AWG14) screw terminals
- voltage < 20V (internal)
- current < 2 mA

**Analog input**

- Voltage range: 0...10V
- Resolution 10 bits /  $2 \div 40^\circ\text{C}$  ( $36 \div 99^\circ\text{F}$ )
- Accuracy 2%
- Probe voltage < 20VDC
- Sampling rate 90 ksps/sec
- Sampling time (filtered) 10 sec

**Outputs**

- SPST contact, 2,5mmq (AWG14) screw terminals
- rated current 4 A
- rated voltage 250 Vac
- max breaking capacity 2500 VA
- min contact load 100 mA / 12V
- insulation 250 V (IEC60644/VDE0110b-cat.III/C)

**Data Interface**

- RS-232 (RJ45, internal)
- 300...115200 BIT/s
- 7/8 data bit, 1/2 stop bit, 1 parity bit
- Software handshake, Hardware handshake

**Control**

- SMS multiple commands, case insensitive
- SMS timer and schedule commands
- CLIP (pulse mode)
- CLIP (toggle mode)
- CLIP (reverse mode)
- DTMF (multiple keyboard commands)

**Reports / Alarms**

- SMS, Status SMS (specific for each recipient)
- FAX (specific for each recipient)
- Free Call
- Email (specific for each recipient)

**Special Features**

- Power fail detection (blackout)
- Local and remote configuration
- Log tracing to com port
- Real time clock (autosync)
- Scheduled events

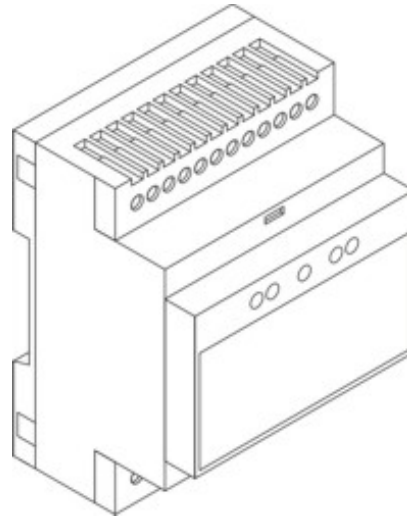
- Users management and Interactive messages

#### Users

- up to 250 users (SIM card phonebook)
- up to 250 advanced users
- up to 100 supervisors
- up to 100 recipients



#### Enclosure



- DIN EN-50022 rail, 4 modules, 71x90x58 mm
- polycarbonate, self-extinguish UL94-V0
- weight: 200 g
- operating temperature: -20÷55°C
- relative humidity: 5-95% non-condensing
- degree of protection: IP40 (EN-60529/IEC529)

June 22, 2007

